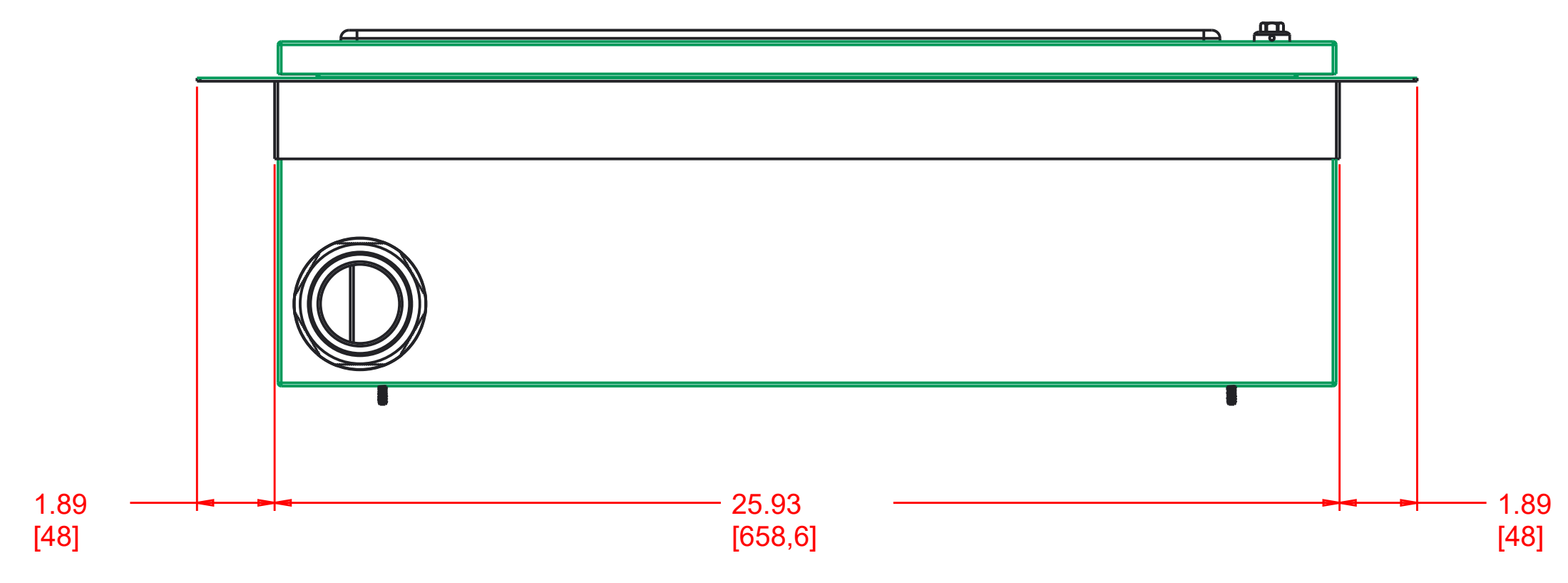
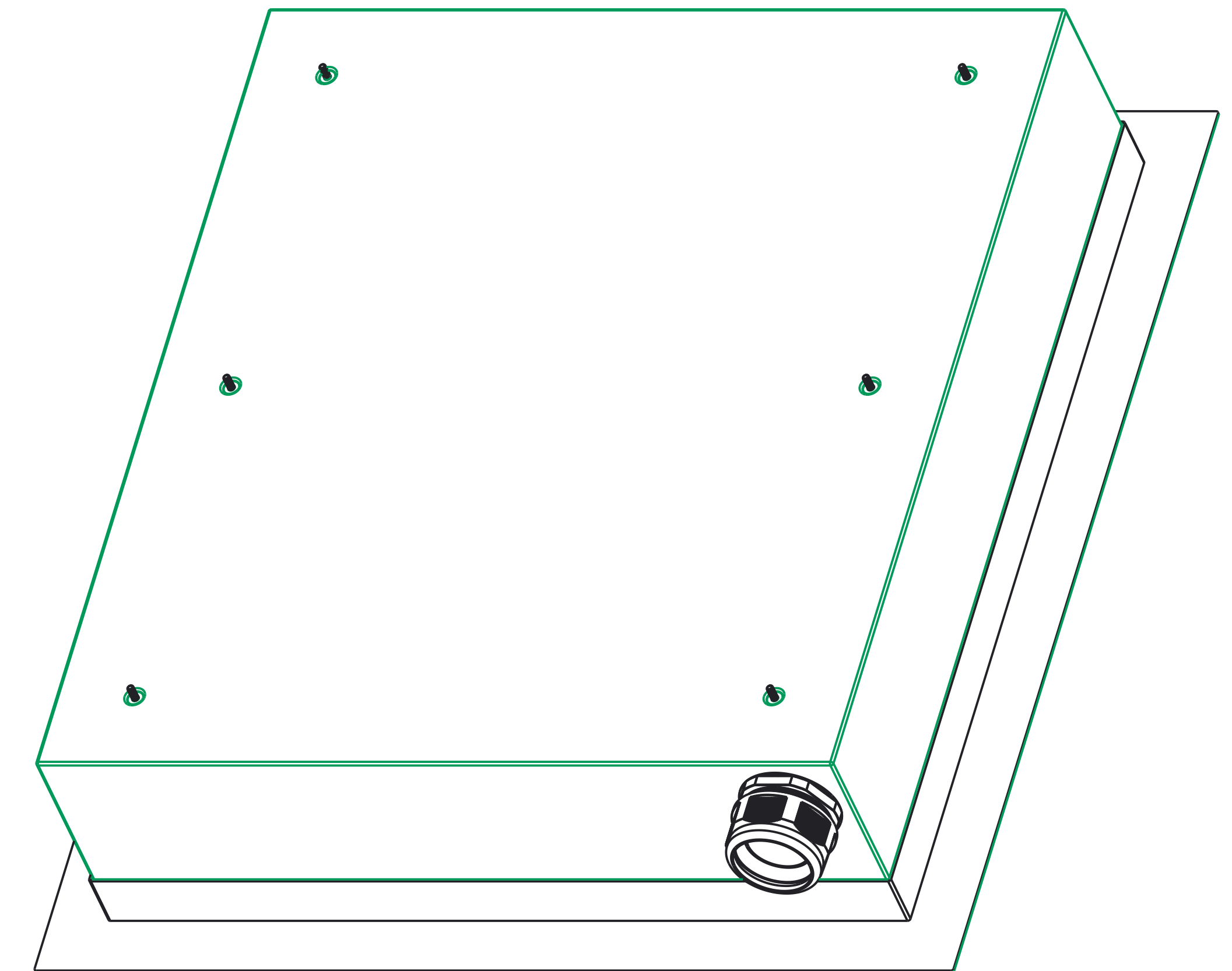
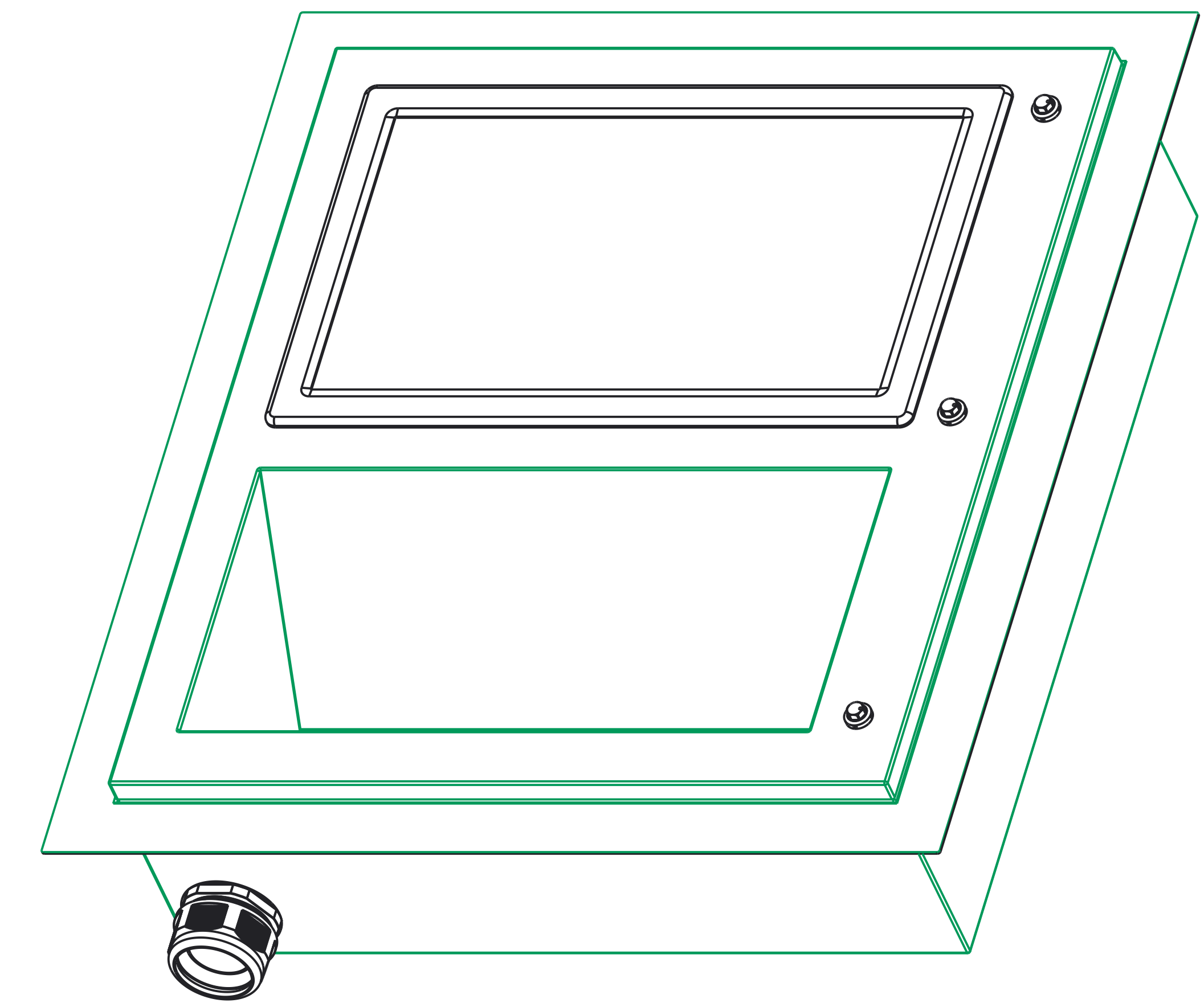
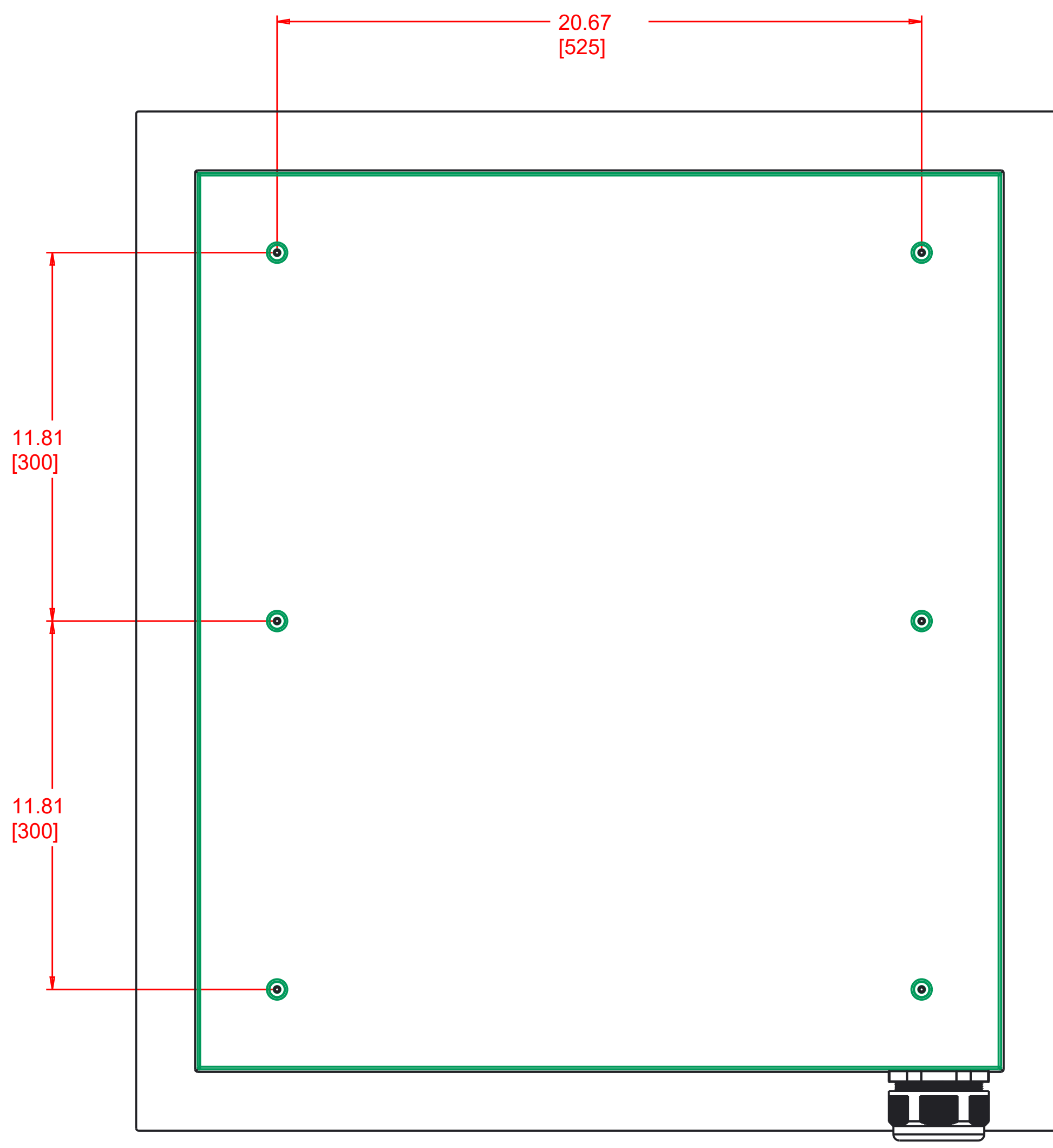
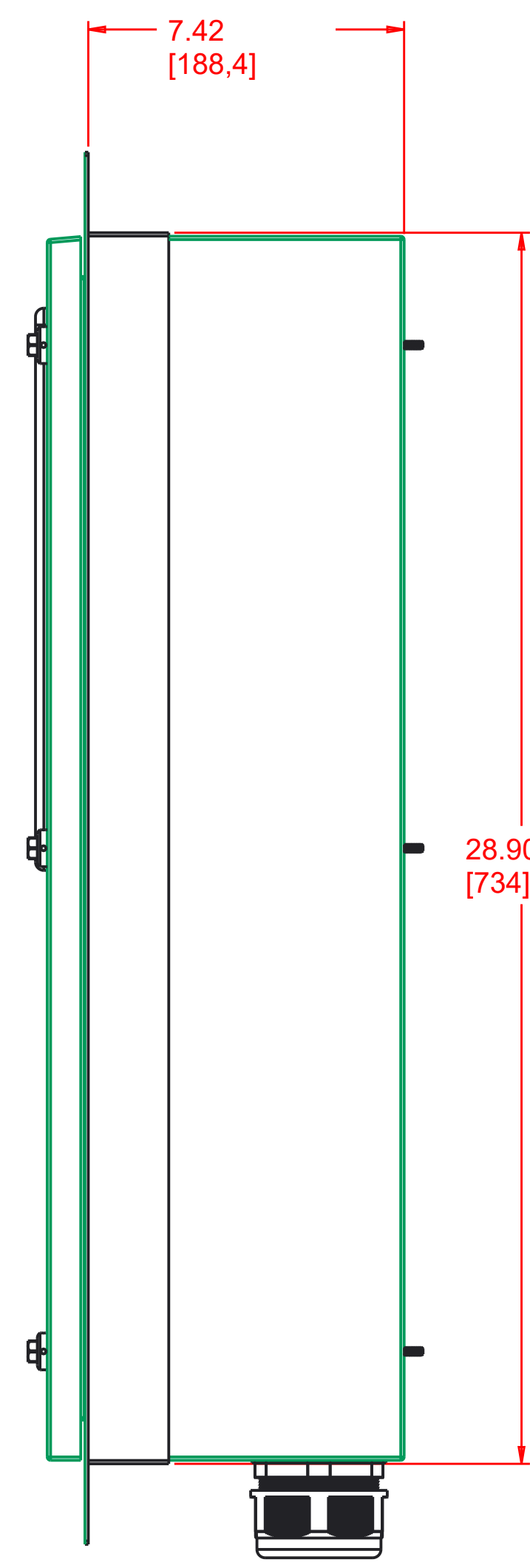
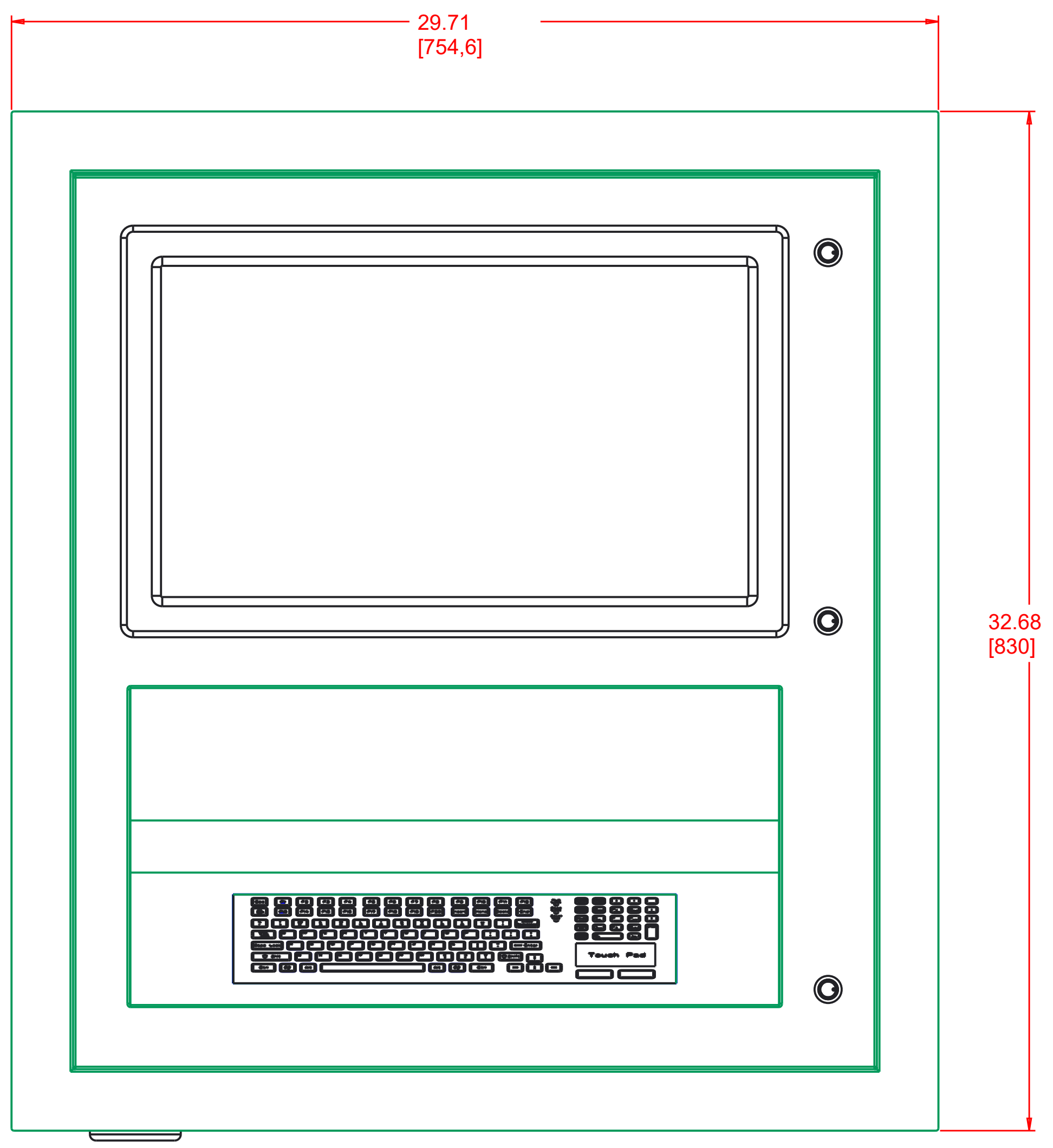
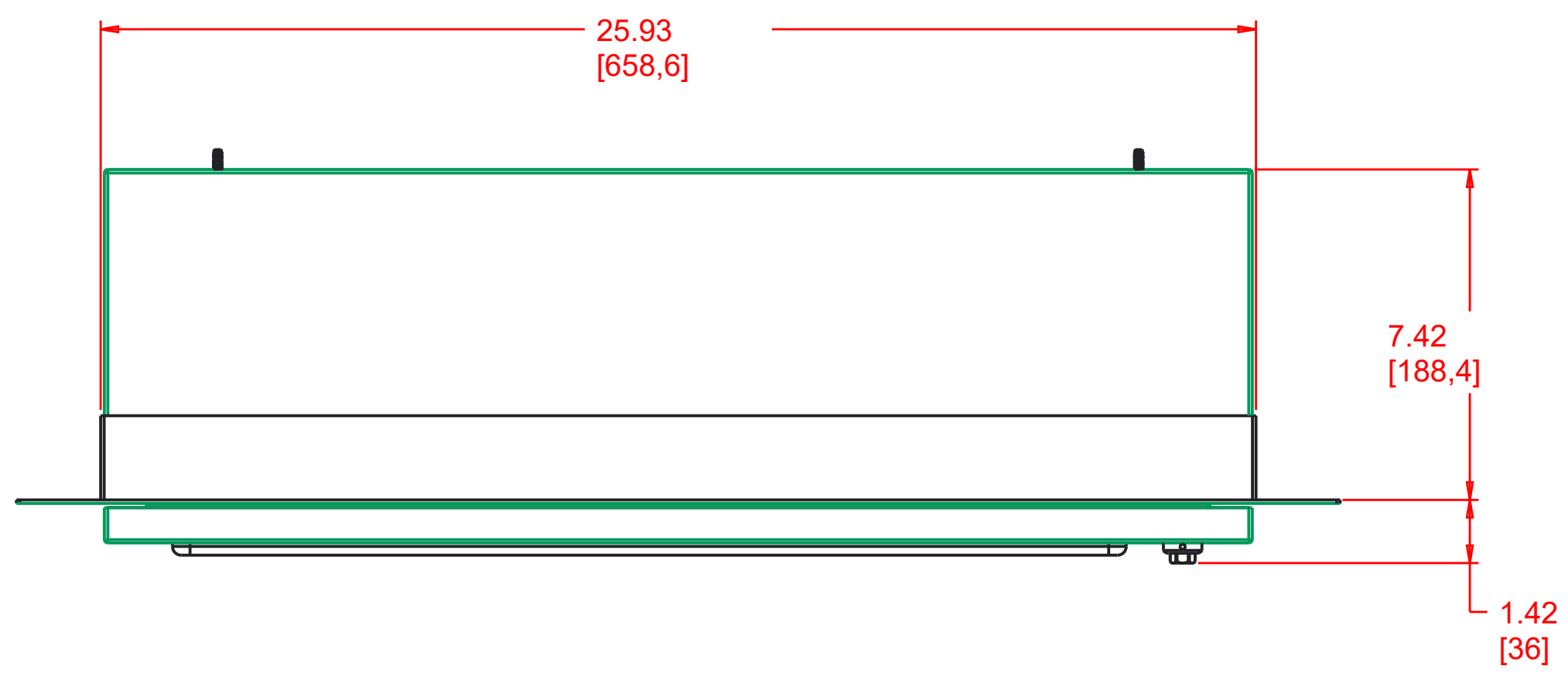


PARTS LIST			
ITEM	QTY	DESCRIPTION	PN



UNITS: inch/mm

ZONE	REV	DESCRIPTION	DATE	APPROVED
REVISIONS				

The information disclosed on this document is the exclusive property of ARISTA CORPORATION. Reproduction, disclosure, or the use of this document or information without the written permission of ARISTA CORPORATION is prohibited.

TOLERANCES	A	B	C
0-30mm	±0.1	±0.25	±0.6
31-120mm	±0.15	±0.45	±1.1
121-210mm	±0.2	±0.6	±1.6
211-300mm	±0.3	±1.1	±2.5

DATE: 21/08/18

DESIGNER: YoyoSu

CHECKED: E

DESIGN: E

SCALE: 0.300

ARISTA CORPORATION
41300 Bayview Rd, Fremont, CA 94538

TITLE: AMA-7021AX ASSEMBLY

SIZE: E

FIG. NO.:

DWG. NO.:

REV. NO.:

SHEET OF: